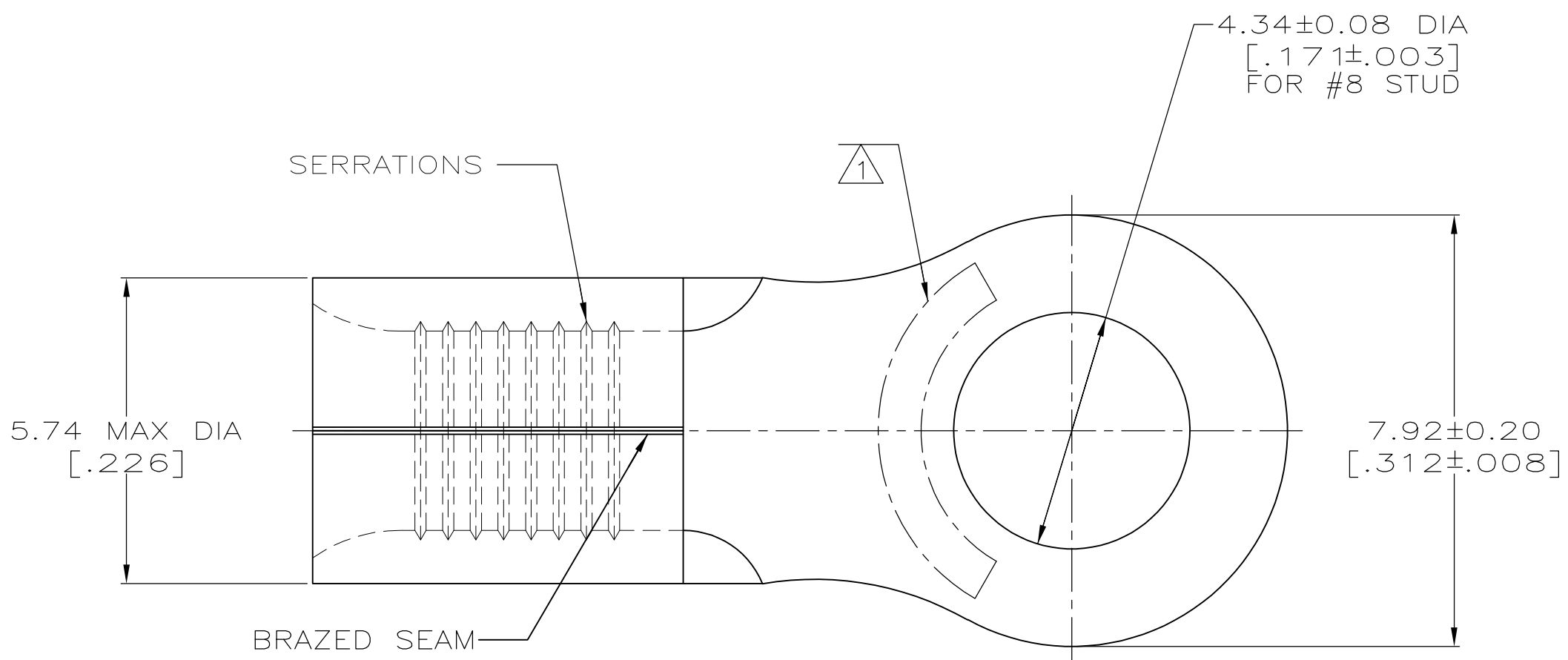


THIS DRAWING IS UNPUBLISHED. RELEASED FOR PUBLICATION .19  
 © COPYRIGHT 19 BY AMP INCORPORATED. ALL INTERNATIONAL RIGHTS RESERVED.

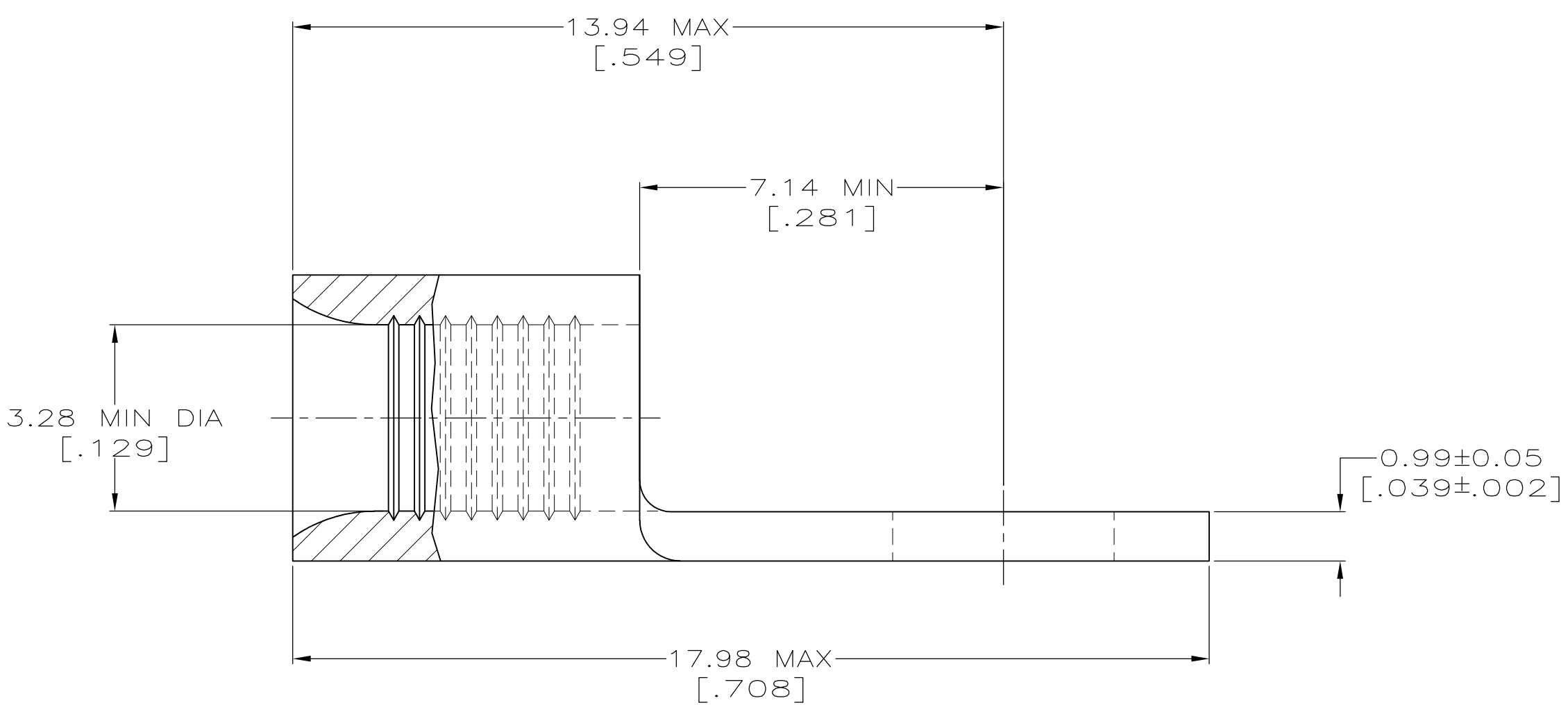
LOC	DIST	P	F	REVISIONS				
G	14			ZONE	LTR	DESCRIPTION	DATE	APPD
				E		REV PER ECR 07-016582 & 016652	18JUL07	JR/MS



**METRIC**  
 DIMENSIONS LISTED IN mm [ INCHES ]

<b>AMP</b> WIRE RANGE	E13288 Listed
12-10 AWG SOLID OR STRANDED	12-10 AWG STRANDED
LR7189 Certified	MILITARY P/N AND CLASS
12-10 AWG SOLID OR STRANDED	NOT APPLICABLE

- ① STAMP AMP 12-10\* APPROX AS SHOWN
- ② PRELIMINARY - NOT FOR PRODUCTION
- ③ 0.00254 [.000100] MIN TIN PER ASTM B-545
- ④ CLEANED, UNPLATED



FINISH	QUANTITY	PACKAGE TYPE	PART NO
④	-	LOOSE PIECE	② 322454-2
③	50	LOOSE PIECE, BOX	8-322454-2
③	2500	ON TAPE, REEL	322454-1
③	----	LOOSE PIECE	322454

**AMP INCORPORATED**  
**CUSTOMER SERVICE SYSTEMS**

MAX RECOMMENDED OPERATING TEMPERATURE:  
 170° C MAX

DO NOT SCALE PRINT. UNLESS SPECIFIED  
 DIMENSIONS IN mm [INCHES]-  
 TOLERANCES ON :  
 2 PLC DEC ± -  
 3 PLC DEC ± -  
 ANGLES ± -  
 MATERIAL  
 COPPER PER  
 ASTM B-152  
 ANNEALED  
 FINISH  
 -  
 SEE TABLE  
 -

DR 3-17-93  
 TA BRINKMAN  
 CHK 3-17-93  
 DA PATTERSON  
 APPD 3-17-93  
 DE MILLER  
 APPD 3-17-93  
 JL MECKLEY  
 PRODUCT SPEC  
 -  
 APPLICATION SPEC  
 -  
 WEIGHT  
 -

**AMP** AMP Incorporated  
 Harrisburg, PA 17105-3608

FOR ADDITIONAL PRODUCT INFORMATION OR COPIES OF DRAWINGS AND TECHNICAL DOCUMENTS	PRODUCT INFORMATION CENTER 1-800-522-6752
FOR APPLICATION TOOLING INFORMATION	TOOLING ASSISTANCE CENTER 1-800-722-1111
FOR ORDER ENTRY	1-800-526-5142

VOLTAGE RATING:  
 NOT APPLICABLE

WIRE CROSS SECTIONAL AREA RANGE:  
 2.62-6.64mm<sup>2</sup> [5,180-13,100] CIR MILS  
 SOLID OR STRANDED

THIS DRAWING IS A CONTROLLED DOCUMENT FOR AMP INCORPORATED. IT IS SUBJECT TO CHANGE AND THE CONTROLLING ENGINEERING ORGANIZATION SHOULD BE CONTACTED FOR THE LATEST REVISION.

NAME <b>TERMINAL, RING TONGUE, SOLISTRAND</b>		
SIZE C 00779	CAGE CODE C= 322454	DRAWING NO C= 322454
SCALE 10:1	SHEET 10F 1	